

## FEATURES

- Payload up to 32,727 kg (72,000 lb)
- Outstanding stiffness and native accuracy
- Superior reliability and longevity
- Motorized and manual drive options
- Rugged construction

## STANDARD COMPONENTS

- MEC-FS Floor Slide
- Instruction manual
- Maintenance manual
- Interface Control Drawing (ICD)

## DESCRIPTION

NSI-MI Technologies' Floor Slides support loads up to 32,727 kg (72,000 lb) and are equipped standard with manual/motorized drive, high-efficiency drivetrain components, absolute position feedback, and user-adjustable hardware limits. The included thru-axis cable carrier enables you to configure the positioner to your specific needs. The floor slides are often used as the base element of a positioning system to accurately reposition an entire stack of azimuth, elevation, and another linear and rotary axis for multi-purpose positioning applications. The floor slide is the most straightforward way to provide significant flexibility and rapid repositioning of a system.

## IDEAL FOR

- Antenna testing
- Radome measurement
- Radar Cross Section (RCS) measurement
- General purpose positioning
- Factory automation
- Scientific and R&D applications

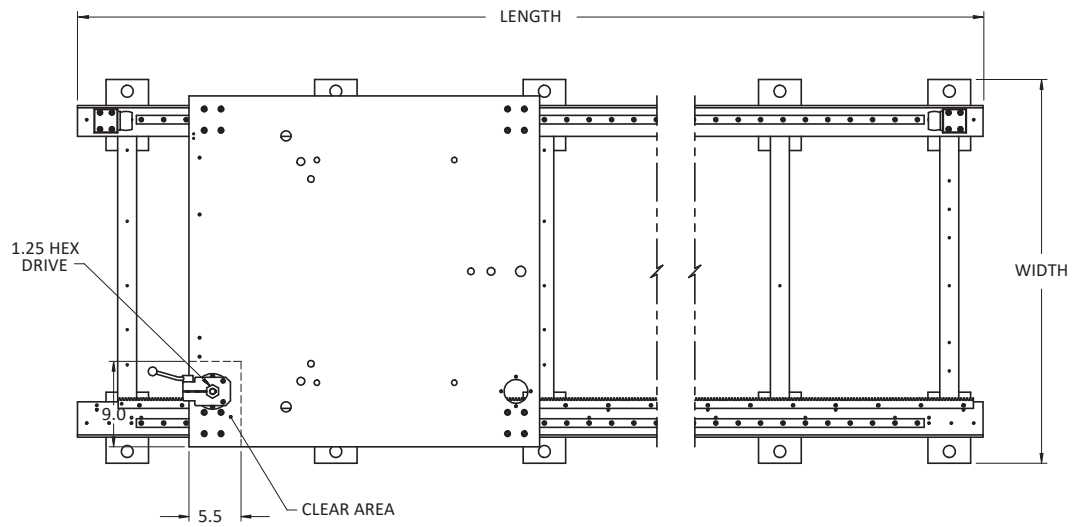
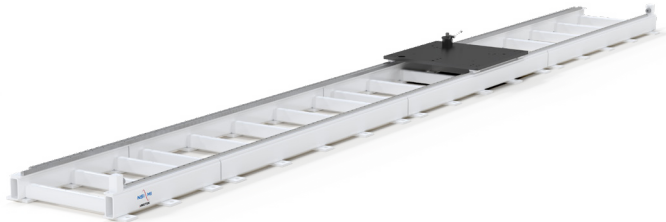
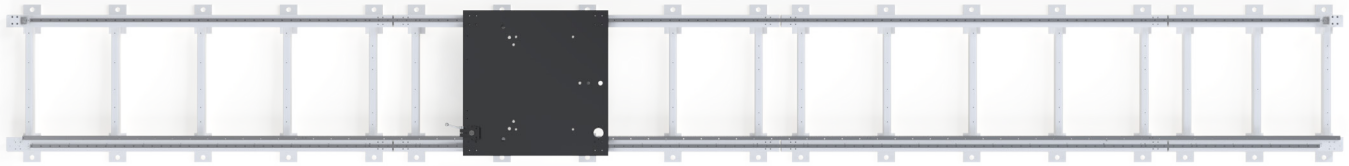
## SPECIFICATIONS

Characteristics	Units	MEC-FSH-6 MEC-FSM-6	MEC-FSH-20 MEC-FSM-20	MEC-FSH-40 MEC-FSM-40
Bending Moment, Static	ft-lb	4,400	15,000	30,000
	Nm	5,966	20,337	40,675
Load Capacity	lb	6,000	12,000	24,000
	kg	2,722	5,443	10,886
Maximum Speed	ft/min	15.0	15.0	5.0
	m/min	4.6	4.6	1.5
Position Readout Accuracy (Motorized)	in.	±0.01	±0.01	±0.01
	mm	±0.25	±0.25	±0.25
Limit-to-Limit Travel	ft	3.4, 6.3, 10.0	4, 6.9, 11.4, 14.3, 18.8, 24.6	4, 7.5, 12, 16, 20, 24
	m	1.0, 1.9, 3.0	1.2, 2.1, 3.4, 4.3, 5.7, 7.5	1.2, 2.3, 3.2, 4.9, 6.1, 7.3
<b>Physical</b>				
Height	in.	8.4	9.6	9.8
	mm	213	244	249
Width	in.	25.1	30.0	40.5
	m	0.6	0.8	1.0
Length	in.	36 + Travel	37 + Travel	47.8 + Travel
	m	0.9 + Travel	1.0 + Travel	1.2 + Travel
Net Weight	lb	290 (3.4 ft Travel) 333 (6.3 ft Travel) 420 (10 ft Travel)	700 (4 ft Travel) 900 (6.9 ft Travel) 1,200 (11.4 ft Travel) 1,400 (14.3 ft Travel) 1,700 (18.8 ft Travel) 2,000 (24.6 ft Travel)	1,200 (4 ft Travel) 1,600 (7.5 ft Travel) 1,900 (12 ft Travel) 2,200 (16 ft Travel) 2,500 (20 ft Travel) 2,900 (24 ft Travel)
	kg	131 (1.0 m Travel) 151 (1.9 m Travel) 191 (3 m Travel)	318 (1.2 m Travel) 408 (2.1 m Travel) 544 (3.4 m Travel) 635 (4.3 m Travel) 771 (5.7 m Travel) 907 (7.5 m Travel)	545 (1.2 m Travel) 726 (2.3 m Travel) 862 (3.2 m Travel) 998 (4.9 m Travel) 1,134 (6.1 m Travel) 1,315 (7.3 m Travel)
<b>Environmental</b>				
Operating Conditions		Indoor		
Temperature Range	Operating	deg	32 to +104 F [0 to +40 C]	
	Storage	deg	-4 to +158 F [-20 to +70 C]	
Relative Humidity	Operating	%	20%–90% non-condensing	
	Storage	%	20%–90% non-condensing	
<b>Compatibility</b>				
Controllers		Servo		

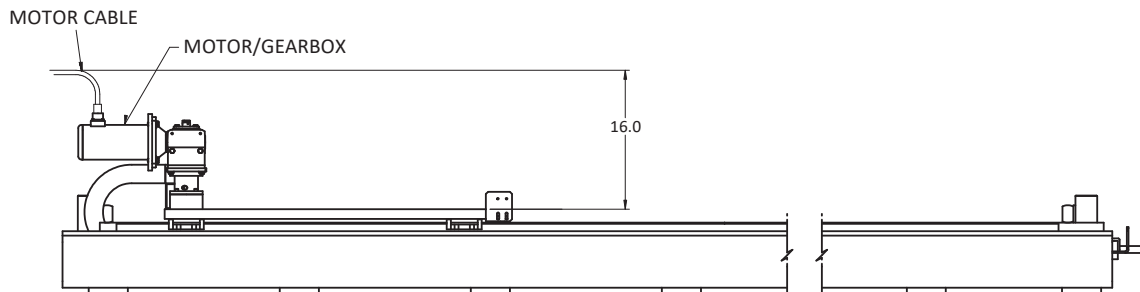
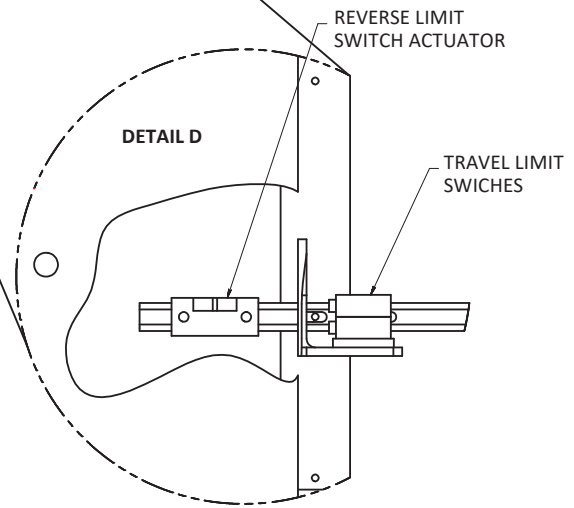
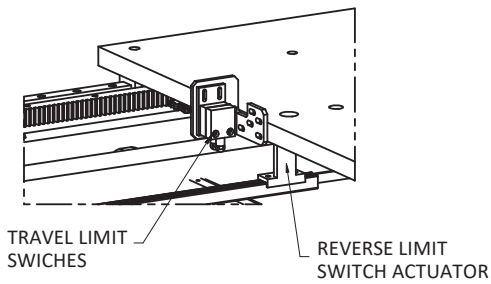
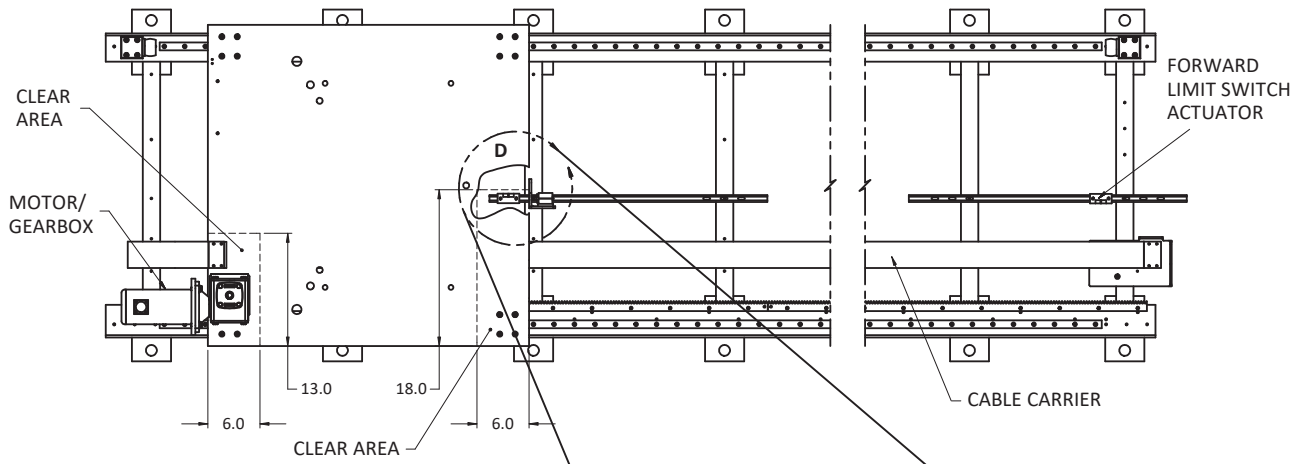
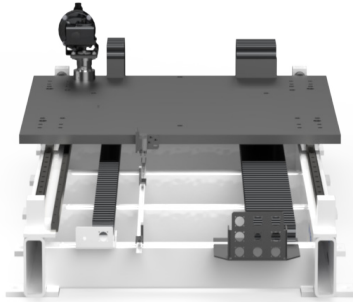
## SPECIFICATIONS

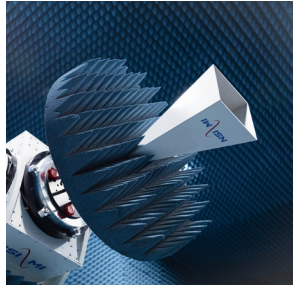
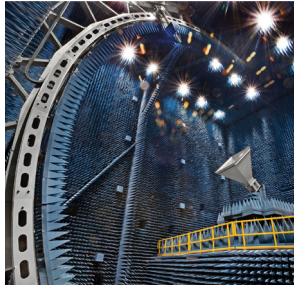
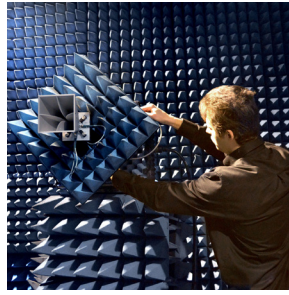
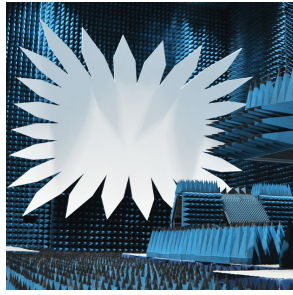
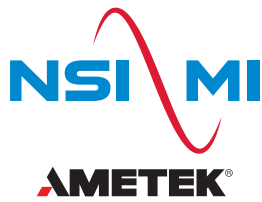
Characteristics		Units	MEC-FSH-90 MEC-FSM-90	MEC-FSH-190 MEC-FSM-190
Bending Moment, Static	ft-lb		68,000	142,000
	Nm		92,196	192,526
Load Capacity	lb		45,000	72,000
	kg		20,412	32,727
Maximum Speed	ft/min		5.0	5.0
	m/min		1.5	1.5
Position Readout Accuracy (Motorized)	in.		±0.01	±0.01
	mm		±0.25	±0.25
Limit-to-Limit Travel	ft		3, 7, 11.5, 15, 20, 23	6, 10, 13, 17, 22
	m		0.9, 2.1, 3.5, 4.6, 6.1, 7.0	1.8, 3.0, 3.9, 5.2, 6.7
<b>Physical</b>				
Height	in.		12.5	14.0
	mm		318	356
Width	in.		50.0	63
	m		1.3	1.6
Length	in.		57.0 + Travel	75.7 + Travel
	m		1.5 + Travel	1.9 + Travel
Net Weight	lb		1,900 (3 ft Travel) 2,300 (7 ft Travel) 2,700 (11.5 ft Travel) 3,200 (15 ft Travel) 3,700 (20 ft Travel) 4,100 (23 ft Travel)	4,000 (6 ft Travel) 4,900 (10 ft Travel) 5,300 (13 ft Travel) 6,000 (17 ft Travel) 7,000 (22 ft Travel)
	kg		862 (0.9 m Travel) 1,043 (2.1 m Travel) 1,225 (3.5 m Travel) 1,451 (4.6 m Travel) 1,678 (6.1 m Travel) 1,859 (7.0 m Travel)	1,814 (1.8 m Travel) 2,222 (3.0 m Travel) 2,404 (3.9 m Travel) 2,812 (5.2 m Travel) 3,175 (6.7 m Travel)
<b>Environmental</b>				
Operating Conditions			Indoor	
Temperature Range	Operating	deg	32 to +104 F [0 to +40 C]	
	Storage	deg	-4 to +158 F [-20 to +70 C]	
Relative Humidity	Operating	%	20%–90% non-condensing	
	Storage	%	20%–90% non-condensing	
<b>Compatibility</b>				
Controllers			Servo	

# MEC-FSH FLOOR SLIDE MANUAL VIEW AND DRAWINGS



# MEC-FSM FLOOR SLIDE MOTORIZED VIEW AND DRAWINGS





## LOCATIONS

1125 Satellite Blvd., Suite 100  
Atlanta, Georgia 30024-4629  
USA

+1 678 475 8300

19730 Magellan Drive  
Torrance, CA 90502-1104  
USA

+1 310 525 7000

Stubley Lane,  
Dronfield, S18, 1DJ  
UK

+44 1246 581500

**NSI-MI Technologies** introduced the world to microwave antenna measurement systems and is the preferred global supplier of antenna, radar cross section, and radome measurement solutions. Today, our innovative products, systems, and services lead the industry in setting new standards for tomorrow's performance. From world-class in-house testing facilities to delivering industry-leading turnkey systems, we provide the highest quality measurement products on the market.

Our full range of standard products and custom-designed systems are backed by our longstanding commitment to precision-engineered accuracy, reliability, and lasting performance. We provide the right solution for every RF measurement need and our worldwide network of service professionals are always available to offer support.

For more information on ordering NSI-MI Technologies' products, applications or services please contact your nearest NSI-MI office. Our complete sales team information is available at: [www.nsi-mi.com/contact-us/sales-team](http://www.nsi-mi.com/contact-us/sales-team).

## ISO 9001:2015 CERTIFIED

