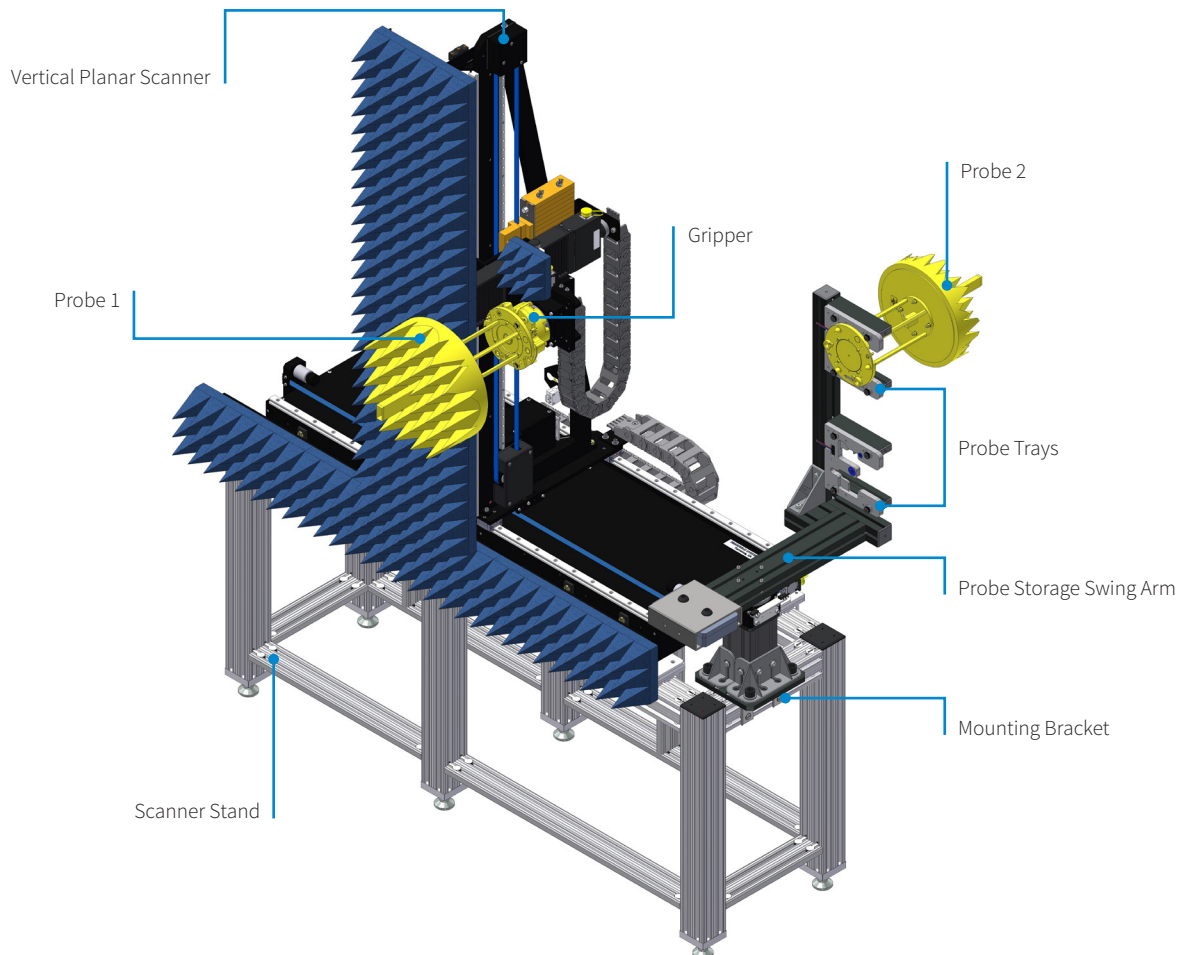


Automated Accessory Loader



Using electronically switchable electromagnets and a quick connect system, NSI-MI Technologies has devised an inexpensive, time saving accessory that automates the tedious task of switching probes during testing.

FEATURES

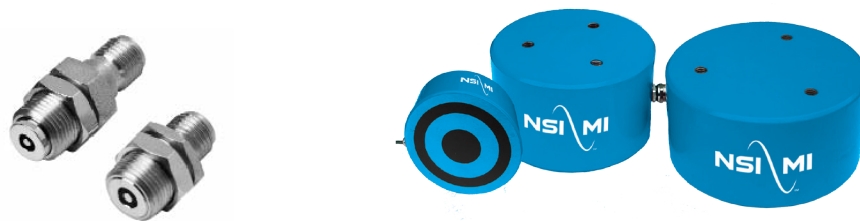
- Rapid, automated, and precise installation/exchange of scanner payloads such as RF probes, alignment lasers, and optical targets
- Preserves scan plane dimensions
- Compact design with minimal impact to scanner footprint or payload
- Available as an Upgrade Accessory for new and existing scanner systems
- “Human-out-of-the-loop” exchange provides safe and secure environment without RF radiation exposure
- Extremely low system downtime with no need for advanced planning of facility/rigging equipment during probe/accessory exchange
- Remote exchange of probes/accessories inside a chamber with highly limited access

ACCESSORY UPGRADE

Payload:	Same as max scanner payload with counterweight kit Electromagnet is capable of carrying up to 190 lb. payload
Payload exchange time:	90 seconds
Payload position repeatability:	0.002 in

ELECTRONICALLY SWITCHABLE ELECTROMAGNETS

- Electromagnetic Gripper
- Fail-safe operation
- Power only required for on/off switching operation
- On/off switching in < 0.2 sec
- No moving parts
- Voltage: 240 VAC, Single Phase
- Safe Op Load: 85 kg [187 lb]



RF QUICK CONNECT SYSTEM SPECIFICATIONS

Nominal Impedance	50 Ω
Frequency Range	dc to 40.0 GHz
Insertion Loss Repeatability	± 0.1 dB typical
Mechanical Life	25,000 matings minimum
Radial Offset Allowed	± 0.02 in. per pair
Temperature Range	-50°C to +100°C
Connectors	Stainless Steel 2.92 mm connectors with gold plated contacts - mate nondestructively with SMA connectors per MIL-C-39012, 3.5 mm, SMK, and other 2.92 mm connectors.
Weight	2 oz (56.7g) maximum
Insertion Loss (maximum dB)	0.85 GHz
VSWR dc to 18 GHz (maximum)	1.35:1
VSWR 18 to 40 GHz (maximum)	1.55:1